

StripGO Flexible Strip Curtains

Overview

The flexible closure strips are ideal for the indoor environments division or installed in passageways.

A Flexible Strip Curtains is the smart solution for :

- Walls furniture division, which is always passable in case of need
- Barriers to sound absorption to reduce the transmission of noise
- Glazing in passageways to reduce heat loss

Widely used in both 'in the logistics industry and warehouses, are eligible for installation on escape routes. Extremely simple in construction and installation are economical and functional.

They are available either with fixed upper support is a top track sliding to leave the premises in case of need.

The strips are made of extruded PVC with rounded edges to be crossed by anti cut staff in total safety. The material is a European production certificate self-extinguishing Class 2.

All GLG products are certified under the product standard UNI EN13241-1.

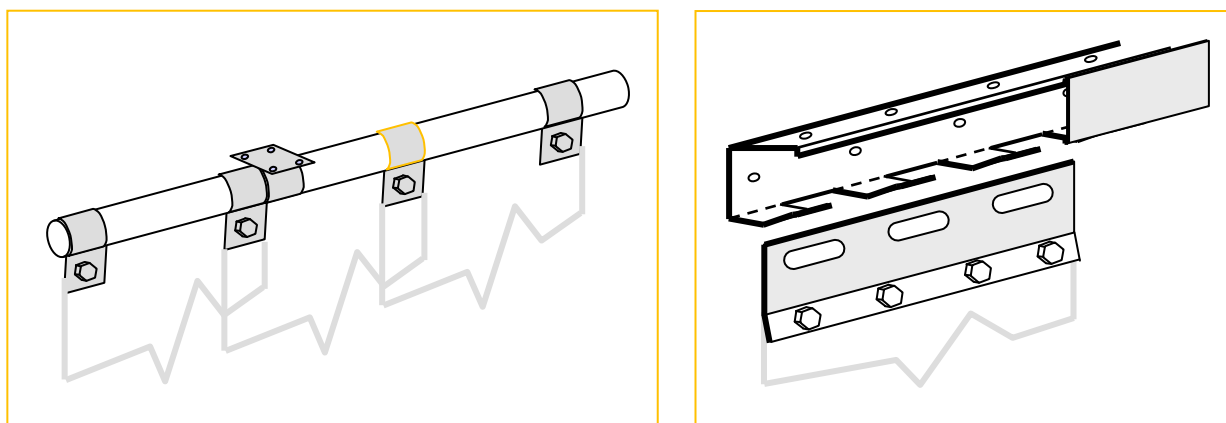


Specifications

Upper Support

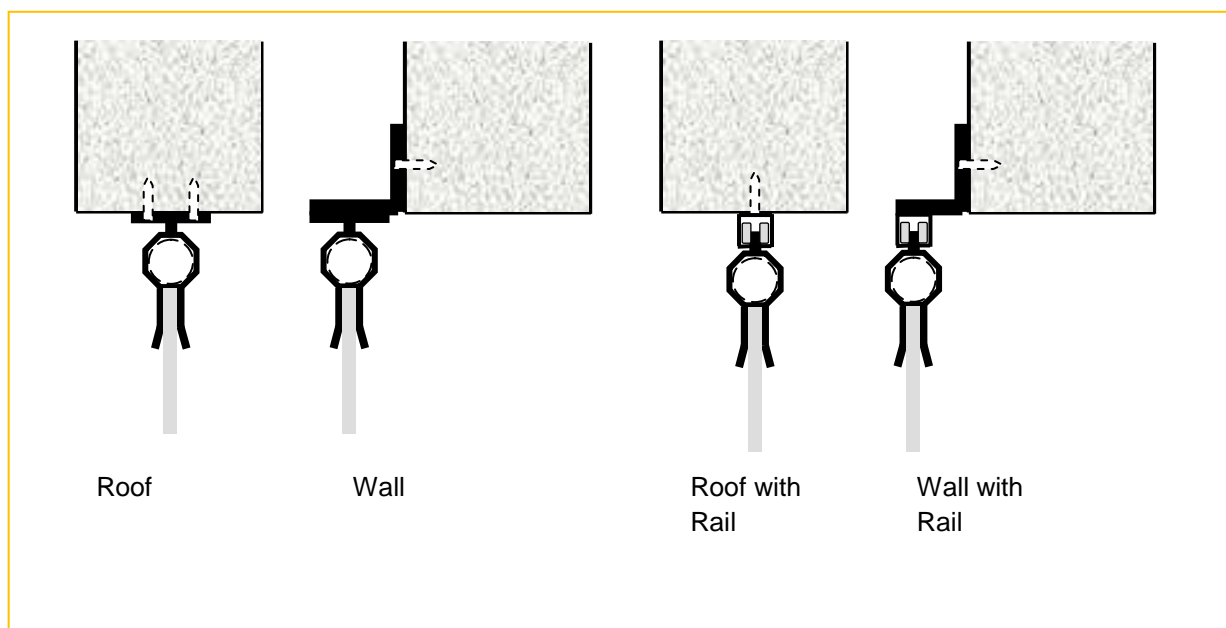
Upper 180° oscillating support for wall or roof mounting. Available in standard Galvanized or Stainless Steel / INOX AISI 304.

Clamp jaws for clamping strips model Oscillating FIX or Rapid for easy removable.



Standard installation or Sliding with upper rail

The closure strip can be installed inside the room in external support. It 'also possible to fit the top bracket of coasters with ball bearings that slide into a rail. This solution allows you to leave the premises in case of need.



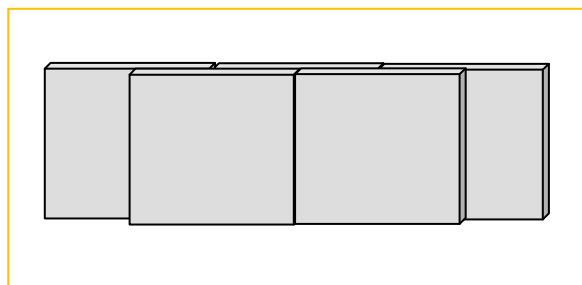
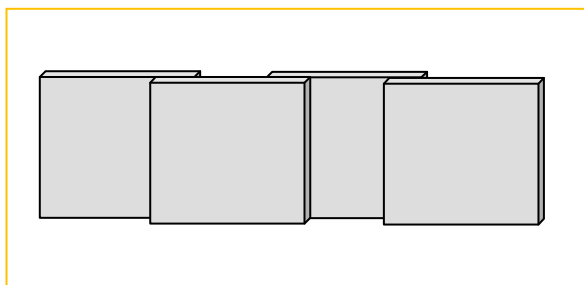
Flexible Strips

PVC strips extruded transparent to both temperature-Normal low temperature (up to -25°).

Versions are available on request for special colored opaque PVC, such as barriers to prevent the passage of UV sunlight (es. Textile industries).

The overlap of the strips may be partially or totally depending on the outcome of seal to be obtained.

The partial overlap facilitates the transition, the total overlap makes the closure wall a real mobile.



PVC	Code	Upper Support	Strip Width / Thickness (mm)	Overlap (mm)
Normal Temperature	200 ar 50	Rapid	200 x 2	Partial 50
	200 so 50	Oscillating		
	200 ar 100	Rapid	200 x 2	Total 100
	200 so 100	Oscillating		
	302 ar 50 302 ar 100	Rapid	300 x 2,5	Partial 50 / 100 (rapid) Parziale 80(oscill.)
	302 so 80	Oscillating		
	302 ar 150	Rapid	300 x 2,5	Total 150
	302 so 150	Oscillating		
	403 ar 100	Rapid	400 x 3	Partial 100
	403 so 100	Oscillating		
	403 ar 200	Rapid	400 x 3	Total 200
	403 so 200	Oscillating		
	404 ar 100	Rapid	400 x 4	Partial 100
	404 so 100	Oscillating		
	404 ar 200	Rapid	400 x 4	Total 200
	404 so 200	Oscillating		
Low Temperature	200 ar 50 BT	Rapid	200 x 2	Partial 50
	200 so 50 BT	Oscillating		
	303 ar 50 BT	Rapid	300 x 3	Partial 50 (rapid) Partial 80 (oscill.)
	303 so 80 BT	Oscillating		
	303 ar 150 BT	Rapid	300 x 3	Total 150
303 so 150 BT	Oscillating			